

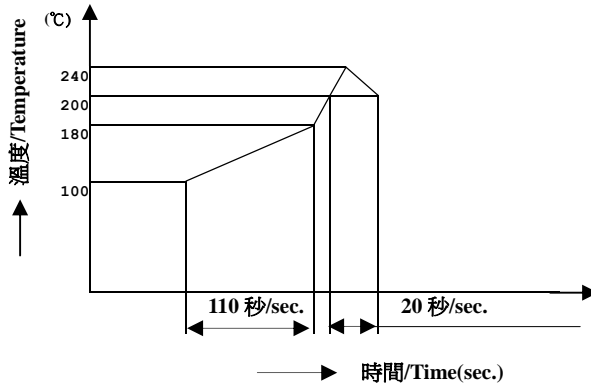
| | | | |
|---|---|---|--|
| SHENZHEN XIEJIA ELECTRONICS CO.,LTD. 深圳市協佳電子有限公司 | | 文件編號 | XJ-SP-3258 |
| | | 發布日期 | 2005年8月10日 |
| SPECIFICATION 規格書 | | 第A版 | 第1頁共3頁 |
| MODEL NO. 產品名稱. TD-42UA TD-42UB | | | |
| DRAWN 制訂 | | APPD. 審批 | |
| 1. RATING (額定值) : DC 12V 50mA | | | |
| 2. ELECTRICAL CHARACTERISTICS (電氣性能規格): | | | |
| ITEM 項目 | | TEST CONDITIONS 測試條件 | PERFORMANCE 規格 |
| 2.1 | CONTACT RESISTANCE 接觸電阻 | MEASURED AT 1KHz SMALL CURRENT (100 mA OR LESS) 在1KHz 微小電流(100mA 以下)測試. | 100mΩ MAX. 100 毫歐以下。 |
| 2.2 | INSULATION RESISTANCE 絕緣電阻 | APPLY A VOLTAGE OF 100V DC FOR 1 MIN. TO FOLLOWING PORTIONS AFTER WHICH MEASUREMENT SHALL BE MADE. (1) BETWEEN BODY AND TERMINAL. (2) BETWEEN TERMINALS. 輸入 100V DC 電壓 1 分鐘,按以下接觸方法測試: (1) 外殼與排腳之間. (2) 端子之間. | 100MΩ MIN. 100 兆歐以上。 |
| 2.3 | DIELECTRIC STRENGTH 耐電壓 | AC 250V (50-60Hz) FOR 1 MIN TRIP CURRENT:0.5 mA (1) BETWEEN TERMINALS. (2) BETWEEN INDIVIDUAL TERMINAL AND FRAME. 輸入 AC 250V(50-60Hz) 電壓,1 分鐘感度電流為 0.5 mA, 按以下接觸方法測試: (1) 排腳相互之間 (2) 排腳與外殼之間 | WITHOUT DAMAGE TO PARTS ARCING OR BREAKDOWN ETC. 沒有絕緣破壞等異常. |
| 3. MECHANICAL CHARACTERISTICS (機械性能規格) | | | |
| ITEM 項目 | | TEST CONDITIONS 測試條件 | PERFORMANCE 規格 |
| 3.1 | OPERATING FORCE 作動力 | | 見第三頁 |
| 3.2 | TERMINAL STRENGTH 端子強度 | A STATIC LOAD OF (300 gf) SHALL BE APPLIED TO THE TIP OF THE TERMINAL FOR 1 MIN IN ANY DIRECTION. 在任意一個方向的先端加上(300 gf) 力度測試,時間為 1 分鐘. | MECHANICAL AND ELECTRICAL CHARACTERISTICS SHALL BE SATISFIED WITHOUT DAMAGE OR EXCESSIVE LOOSENESS OF ACTUATOR. 在端子中沒有裂開、鬆動等異常, 滿足于機械、電器性能. |
| 3.3 | STANDARD ATMOSPHERIC CONDITIONS 測試標準狀態 | UNLESS OTHERWISE SPECIFIED. THE STANDARD RANGE OF ATMOSPHERIC CONDITIONS FOR MAKING MEASUREMENTS AND TESTS ARE AS FOLLOWS: (1) AMBIENT TEMPERATURE: 5°C TO 35°C (2) RELATIVE HUMIDITY : 45% TO 85% (3) AIR PRESSURE : 80Kpa TO 106Kpa 在沒有指定的情況下測試溫度、濕度、氣壓如下: (1) 溫度為 5°C ~35°C (2) 濕度為 45%~85%. (3) 氣壓為 80Kpa~106Kpa. | |

| | | | |
|--|---------------------------------------|---|---|
| SHENZHEN XIEJIA ELECTRONICS CO., LTD. 深圳市協佳電子有限公司 | | 文件編號 | XJ-SP-3258 |
| | | 發布日期 | 2005 年 8 月 10 日 |
| SPECIFICATION 規格書 | | 第 A 版 | 第 2 頁 共 3 頁 |
| 3.4 | PRACTICAL TEMPERATURE RANGE 使用溫度範圍 | -16°C~+60°C 在-16°C~+60°C溫度內使用. | |
| 4. DURABILITY (耐久性) : | | | |
| | ITEM 項目 | TEST CONDITIONS 測試條件 | PERFORMANCE 規格 |
| 4.1 | LIFE TEST 壽命試驗 | WITHOUT LOAD: AN ACTUATOR SHALL BE SUBJECT TO 20,000 CYCLES AT A SPEED OF 60 CYCLES FOR 1 MIN. 無負荷: 操作者以每分鐘 60 次的頻率作 20,000 回之無負荷測試. | (1) CONTACT RESISTANCE SHALL BE 200mΩ MAX. (2) MECHANICAL ANDELECTRICAL CHARACTERISTICS SHALL BE SATISFIED. (1) 接觸電阻不能超于 200mΩ. (2) 其它、滿足于機械、電器性能. |
| 4.2 | HEAT TEST 耐熱試驗 | THE SWITCH SHALL BE STORED AT A TEMPERATURE OF 85±2°C FOR 96 HOURS. AND THEN IT SHALL BE SUBJECTED TO THE CONTROLLED RECOVERY CONDITIONS FOR 1 HOUR AFTER WHICH MEASUREMENT SHALL BE MADE. 放置在溫度 85±2°C 中測試 96 小時后,再放置正常室溫中 1 小時來測定 | THERE SHALL BE NO DAMAGE ON APPEARANCE. MECHANICAL AND ELECTRICAL CHARACTERISTICS SHALL BE SATISFIED. 外觀無異常, 滿足于機械, 電器性能. |
| 4.3 | COLD TEST 耐冷試驗 | THE SWITCH SHALL BE STORED AT A TEMPERATURE OF -25±3°C FOR 96 HOURS AND THEN IT SHALL BE SUBJECTED TO THE CONTROLLED RECOVERY CONDITIONS FOR 1 HOUR AFTER WHICH MEASUREMENT SHALL BE MADE. 放置在溫度-25±3°C 中 96 小時后,再放置常溫常濕中 1 小時來測定。 | THERE SHALL BE NO DEFORMATION OR CRACKS IN MOLDED PART. 外觀無異常, 滿足于機械、電器性能。 |
| 4.4 | HUMIDITY TEST 潮濕試驗 | THE SWITCH SHALL BE STORED AT A TEMPERATURE OF 40±2°C AND A HUMIFITY OF 90% TO 96% FOR 96 HOURS, THEN THE SWITCH SHALL BE MAINTAINED AT STANDARD ATMOSPHERIC CONDITION FOR 1 Hr FOR OTHER PROCEDURES BE MADE. 放置 40±2°C 的相對濕度為 90~96% 環境中 96 小時后,再將樣版放在正常環境 1 小時后進行測試。 | 外觀無異常, 滿足于機械、電器性能。 |

4.5

SOLDERING
CONDITIONS
焊錫條件

(1) HAND SOLDERING:
DEVICE: SOLDER IRON
手焊:
工具: 烙鐵
A. 350°C Max. 3sec. Max.
B. 270°C Max. 5sec. Max.
(2) REFLOW SOLDERING
回流焊
240°C Max. 3sec. Max.



THERE SHALL BE NO DEFORMATION OR CRACKS IN MOLDED PART.
外觀無異常, 滿足于機械、電器性能。

| CODE | O/FORCE |
|------|-------------|
| Y | 180gf±50gf |
| Z | 250gf±100gf |